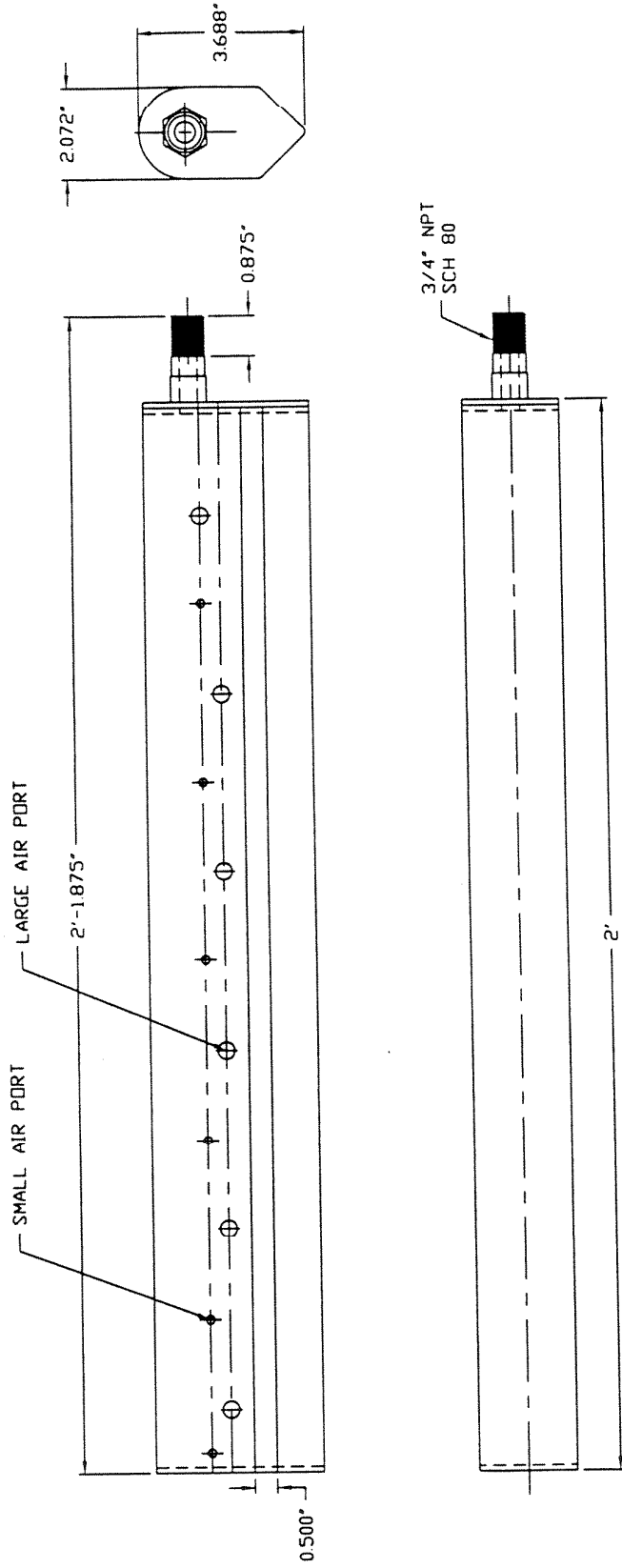


USFilter

Taking care of the world's water.

WIDEBAND
STAINLESS STEEL
COARSE BUBBLE
DIFFUSER



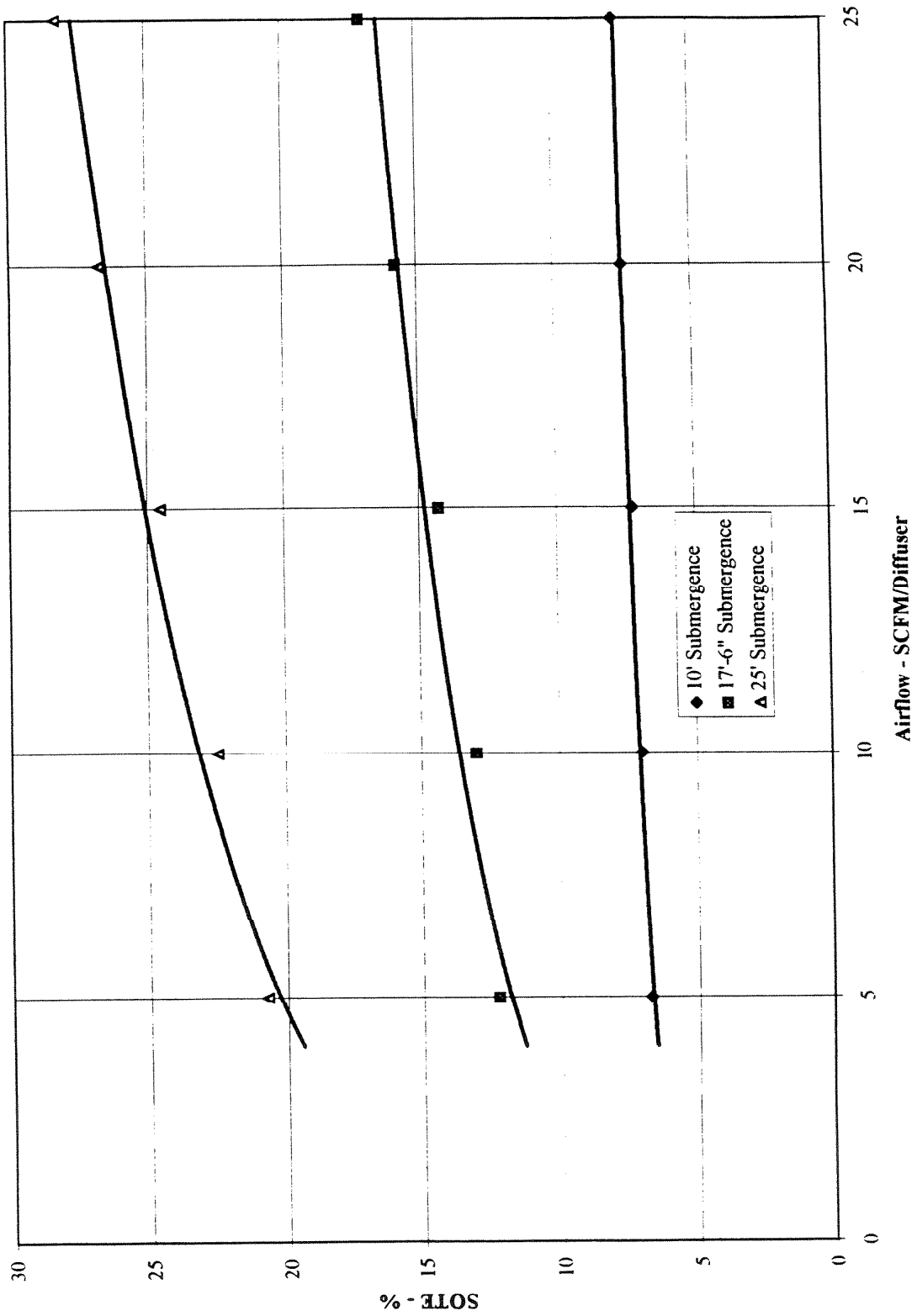
NOTE:
 STAINLESS STEEL MODEL PROVIDED
 WITH 304 S.S. CAST END CAP, INTEGRAL
 HEX NUT AND 3/4" NPT CONNECTION.

IF LINE IS NOT 1" ADJUST
 SCALE ACCORDINGLY

BILL OF MATERIAL

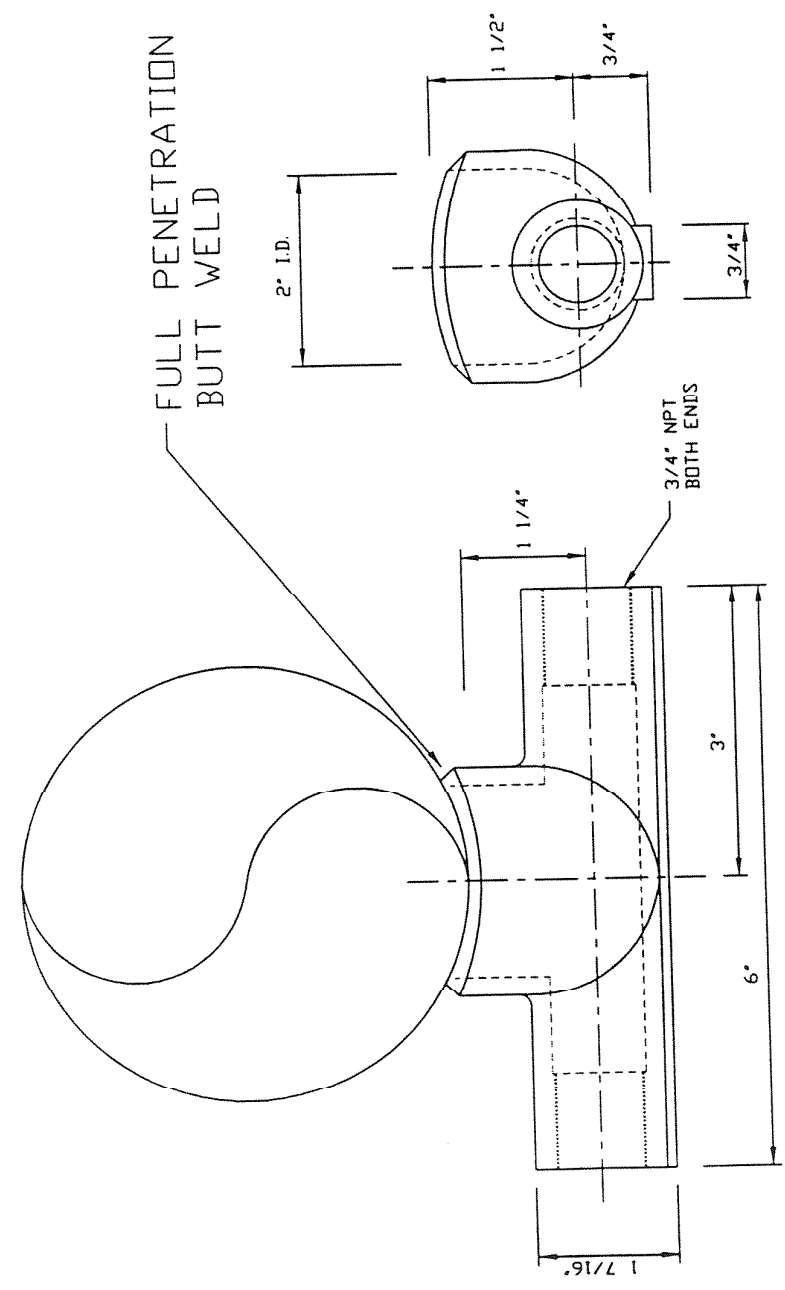
ID #	DESCRIPTION	MATERIAL
EQ00001	END CAP W/ 3/4" NPT	S.S.
EQ00002	END CAP STAMPED	S.S.
EQ00005	TOP FORM 24"	S.S.
EQ00006	BOTTOM FORM 24"	S.S.

SECTION 7.431 24" WIDEBAND STAINLESS STEEL COARSE
 BUBBLE DIFFUSER 304 S.S.



SECTION 7.432 WIDEBAND STAINLESS STEEL
DIFFUSER PERFORMANCE

THIS DRAWING IS THE PROPERTY OF THE UNITED STATES FILTER CORPORATION and is loaned to you for your information only. It is not to be used for any other purpose without the express written consent of the United States Filter Corporation. The design concepts and information contained herein are the property of the United States Filter Corporation and are not to be disclosed, reproduced, loaned or used in any other manner without the express written consent of the United States Filter Corporation. The design concepts and information contained herein are not to be used for any other purpose without the express written consent of the United States Filter Corporation. The design concepts and information contained herein are not to be used for any other purpose without the express written consent of the United States Filter Corporation. The design concepts and information contained herein are not to be used for any other purpose without the express written consent of the United States Filter Corporation.



(XX) TOTAL REQUIRED

MOUNTING TEE
 FOR HEADER 10" DIA. OR SMALLER
 MATERIAL: 316 S.S.

SCALE: NONE	CONTINUED - ALL DIMS. IN INCHES	IF LINE IS NOT 1" ADJUST SCALE ACCORDINGLY	REV	DATE	BY
			DESCRIPTION		
			STAINLESS STEEL MOUNTING TEE		
			DRAWING NUMBER XXXX		
			XXX		
			DRAWN BY: MITEE SWITZER		
			CHECKED BY: GARY		
			DATE: XXX		





WIDEBAND STAINLESS STEEL COARSE BUBBLE DIFFUSER

Diffuser Installation: Ft. Huachuca WWTP #2, AZ
(Installed 1995)